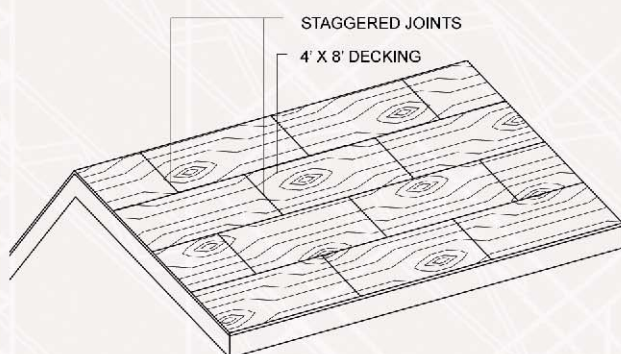


## INSTALLING METAL ROOFING ON RESIDENTIAL HOMES IN HIGH WIND AREAS

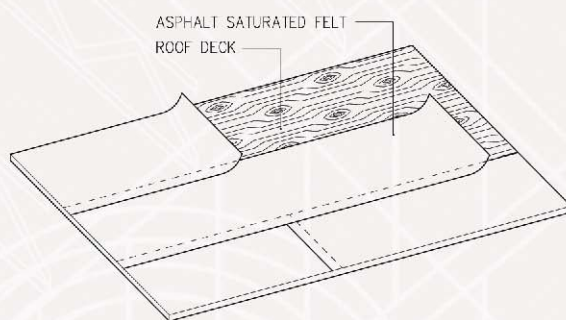
**For your own protection, only use licensed contractors for any metal roofing installation, and make sure you have a written, signed contract before the work begins. Refer to the product manufacturer's installation instructions and other instructions that may be required by the local Building Department.**

### Use of Roof Decking



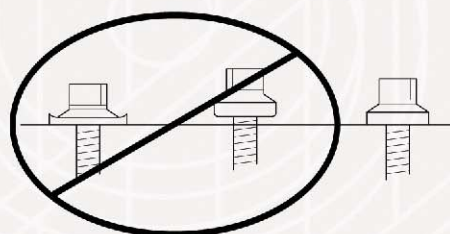
- Use roof decking to support the non-structural metal roof panels.
- Use 15/32" thick or greater plywood or wood planks.
- Plywood span rated for truss spacing.
- Decking joints are staggered.
- Panel joints allow for expansion.
- Remove all shingles before installing metal roof.

### Use of Underlayment



- Underlayment is highly recommended to protect the roof decking from leaks.
- Underlayment installation:
  - 30# asphalt impregnated felt.
  - Secured in place around edges.
  - Overlap at seams.

### Fasteners



IMPROPER

PROPER

#### Typical Specifications:

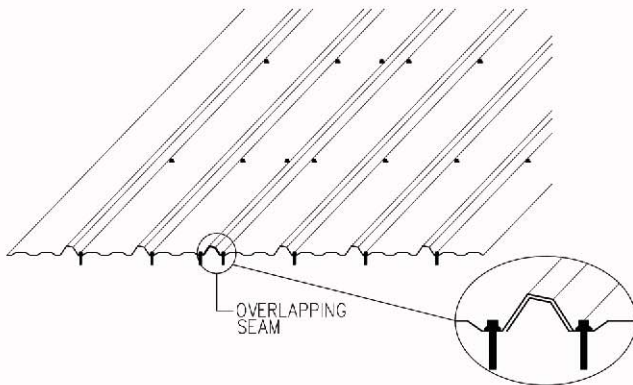
- #9 X 1 1/2" hex-washer head self tapping screws with sealing washer.

#### Workmanship:

- Seat screw to seal.
- DO NOT under or over drive.
- Screws should penetrate 3/16" through roof decking.

# INSTALLING METAL ROOFING ON RESIDENTIAL HOMES IN HIGH WIND AREAS

## Fastener Application



- ☑ Screws installed per panel manufacturer's installation instructions.
- ☑ Along each rib spaced according to instructions.
- ☑ Along both sides of each rib at overlapping joints.

## Flashing Applications

Flashing is used at the ridge caps, rake and eave:

- ☑ Overlapping of edge and joints.
- ☑ Secured with fastener.
- ☑ Use of sealants and mastic tape.

